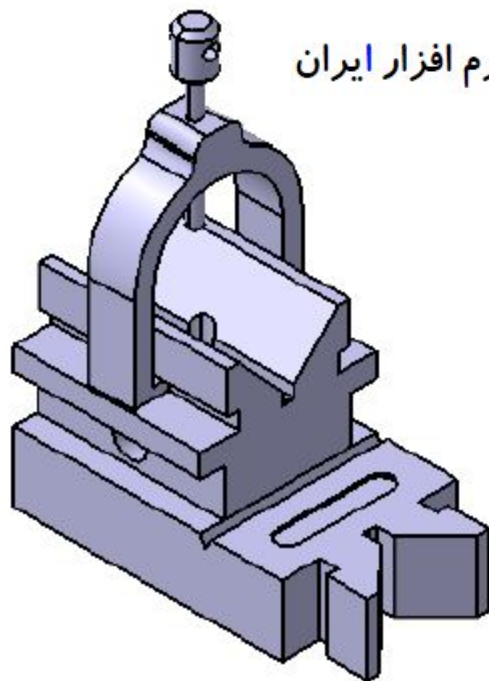


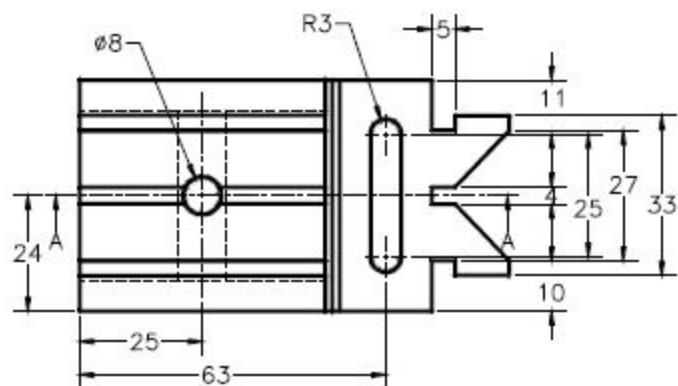
V-Block Assembly

Create all the components of the V-Block assembly and then assemble them, as shown in Figure 1. The dimensions of the components are shown in Figures 2 and 2.

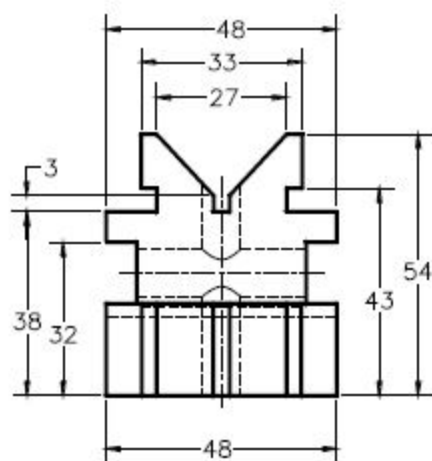
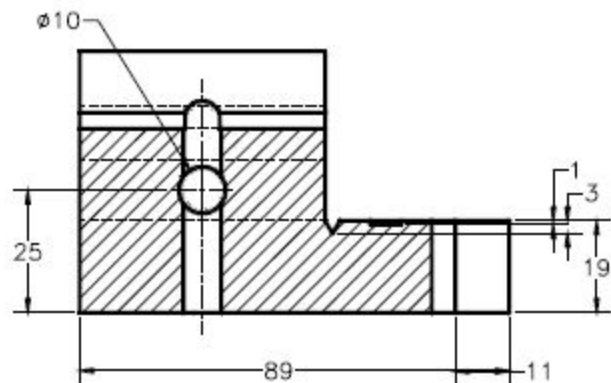


دپانا - دپارتمان آموزش نرم افزار ایران

Figure 1 The V-Block assembly



www.depana.ir



Section A

Figure 2 Views and dimensions of the V-Block body

دوره های آموزش حرفه ای و تسلط بر کتیا

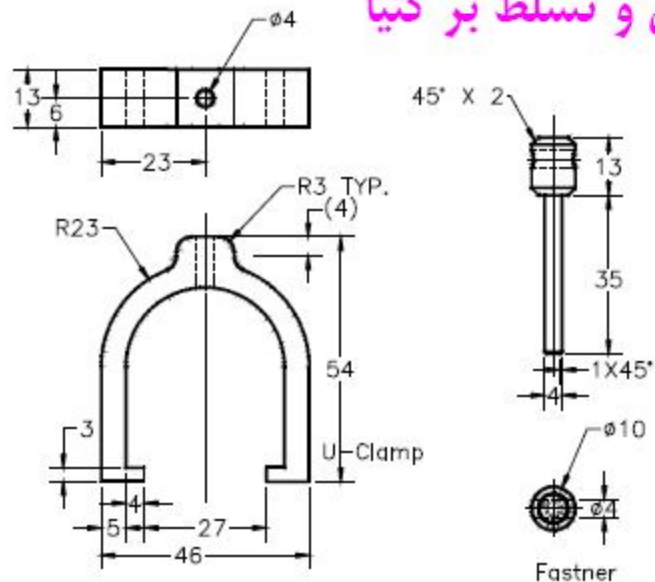


Figure 3 Views and dimensions of the U-Clamp and Fastener