

Plummer Block Assembly

In this project, you will create the components of the Plummer Block assembly, as shown in Figure 1 and then assemble them. The dimensions of the components are given in Figures 2 through 4.

دپانا - دپارتمان آموزش نرم افزار ایران

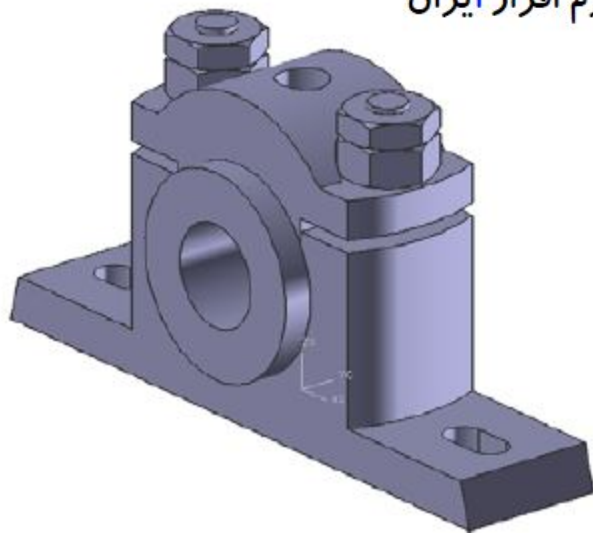


Figure 1 The Plummer Block assembly

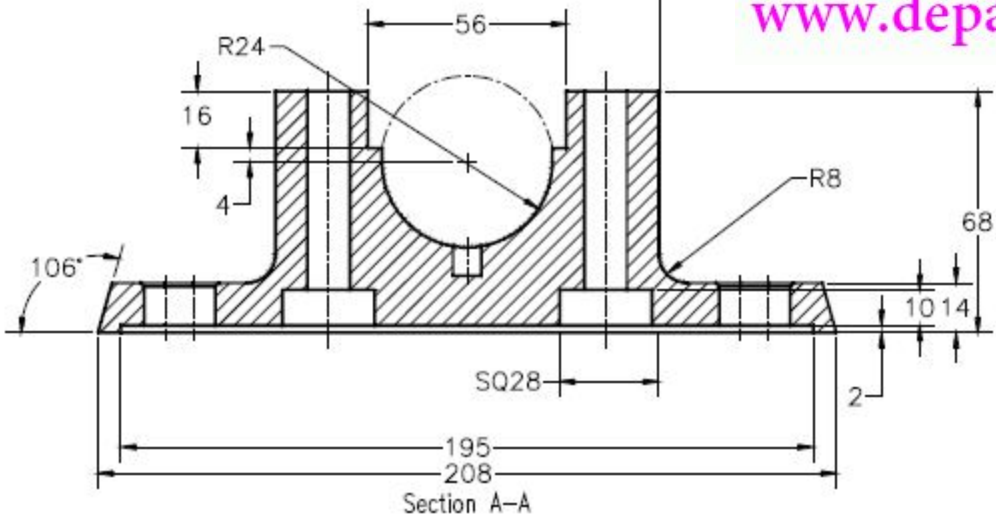
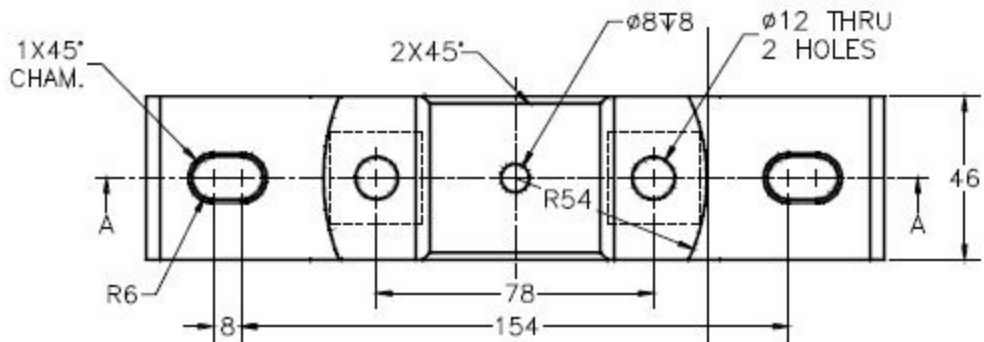


Figure 2 Views and dimensions of the Casting

دیپانا - دپارتمان آموزش نرم افزار ایران

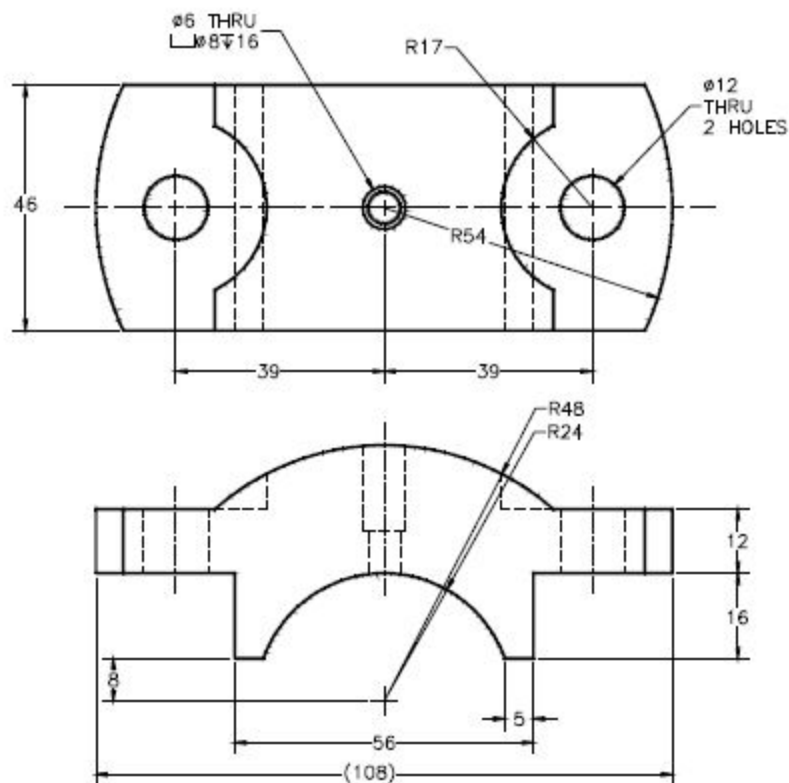


Figure 3 Views and dimensions of the Cap

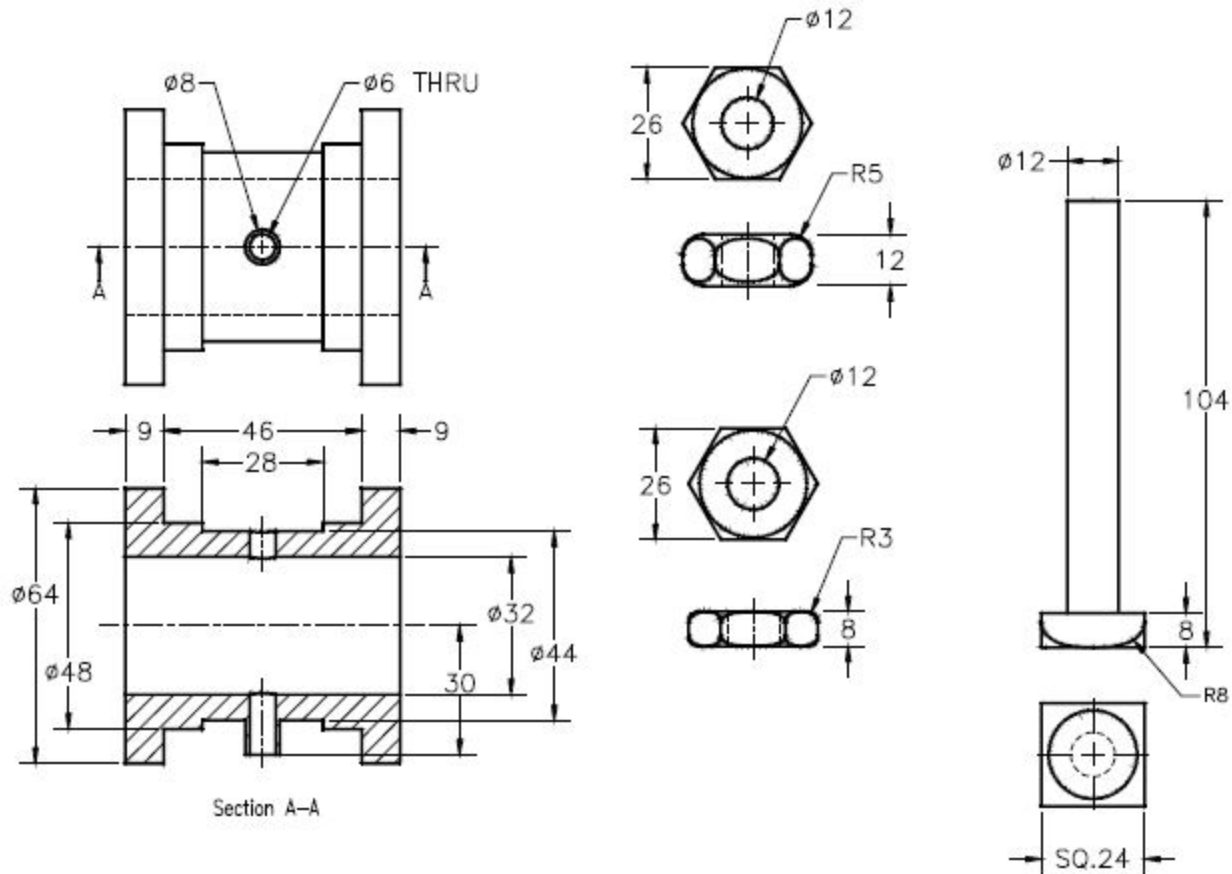


Figure 4 Views and dimensions of Brasses, Nut, Lock Nut, and Bolt

دوره های آموزش حرفه ای و تسلط بر کتیا